

DESCRIPTION

The MP6510 is a single-phase, brushless, DC motor driver with integrated power MOSFETs. It drives single-phase brushless DC motors. The input voltage ranges from 4.5V to 16V, with a maximum output current of 1.2A at room temperature.

The MP6510 controls the rotational speed either through the input voltage or the PWM signal. Other features include selectable minimum rotational speed, a rotational-speed indicator, built-in input over-voltage protection, built-in locked-rotor protection, locked-rotor state indicator, thermal shutdown, and 1.2V integrated Hall bias voltage.

The MP6510 is available in 5.0mmx6.4mm TSSOP16 package.

FEATURES

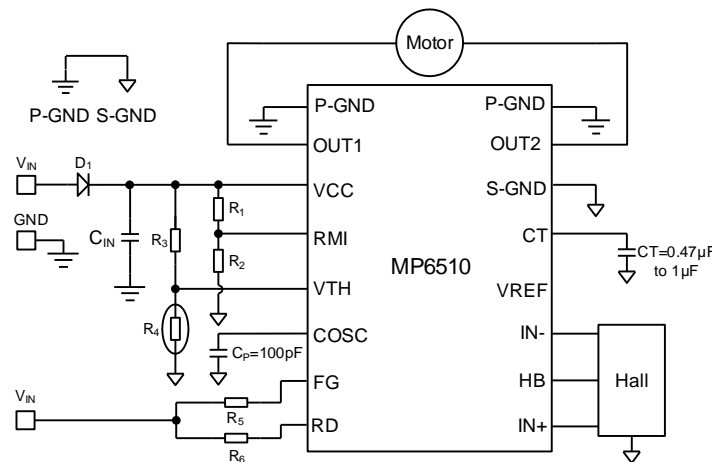
- 4.5V-to-16V Operating Voltage
- Integrated Power MOSFETs (HS: 370mΩ; LS: 230mΩ)
- Maximum Output Current 1.2A
- Low Quiescent Current (Not including Hall Sensor) of 1.4mA
- Speed Control via Input Voltage or PWM Signal
- Programmable Minimum Speed
- Rotational Speed Indicator
- Locked-Rotor Indicator
- Locked-Rotor Protection and Automatic Recovery
- Thermal Protection and Automatic Recovery
- Built-in Input OVP and Automatic Recovery
- Hall Bias Voltage(1.2V) Integrated;
- Available in TSSOP16 (5.0x6.4mm) Package

APPLICATIONS

- CPU Fan for Personal Computers or Servers
- Brushless DC Motor Driver

All MPS parts are lead-free, halogen free, and adhere to the RoHS directive. For MPS green status, please visit MPS website under Quality Assurance. "MPS" and "The Future of Analog IC Technology" are Registered Trademarks of Monolithic Power Systems, Inc.

TYPICAL APPLICATION

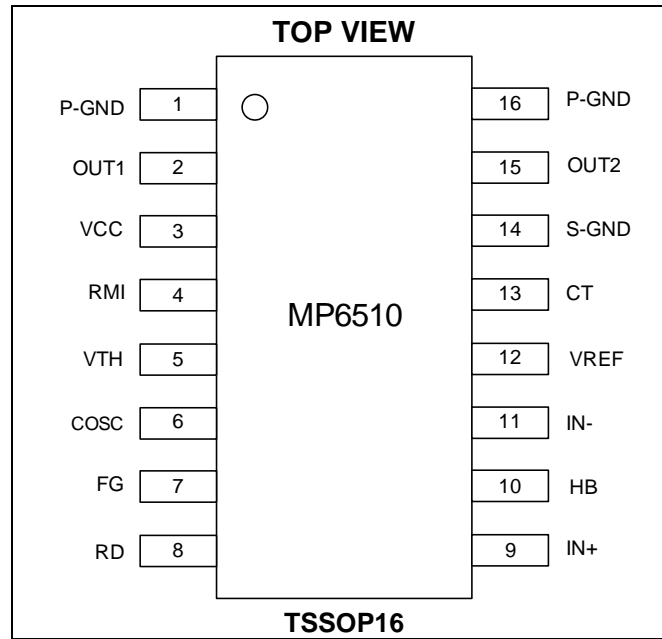


ORDERING INFORMATION

Part Number	Package	Top Marking
MP6510DM-LF*	TSSOP16 (5.0x6.4mm)	MP6510

* For Tape & Reel, add suffix -Z (eg. MP6510DM-Z);
 For RoHS compliant packaging, add suffix -LF (e.g. MP6510DM-LF-Z)

PACKAGE REFERENCE



ABSOLUTE MAXIMUM RATINGS⁽¹⁾

V_{CC}	0V to 20V
OUT1, OUT2	-1V to 20V
FG, RD	-0.3V to 18V
All Other Pins	-0.3V to 6.5V
Continuous Power Dissipation... ($T_A = +25^\circ\text{C}$) ⁽²⁾	1.17W
Junction Temperature	150°C
Storage Temperature	-55°C to +150°C

Recommended Operating Conditions⁽³⁾

V_{CC}	4.5V to 16V
VTH	0V to 6V
IN+, IN-	0.2V to 3V
Operating Junction Temp. (T_J)	-40°C to +125°C

Thermal Resistance ⁽⁴⁾	θ_{JA}	θ_{JC}
TSSOP16 (5.0x6.4mm)	90	30 ... °C/W

Notes:

Exceeding these ratings may damage the device.

The maximum allowable power dissipation is a function of the maximum junction temperature T_J (MAX), the junction-to-ambient thermal resistance θ_{JA} , and the ambient temperature T_A . The maximum allowable continuous power dissipation at any ambient temperature is calculated by P_D (MAX) = $(T_J$ (MAX) - T_A) / θ_{JA} . Exceeding the maximum allowable power dissipation will cause excessive die temperature, and the regulator will go into thermal shutdown. Internal thermal shutdown circuitry protects the device from permanent damage.

The device is not guaranteed to function outside of its operating conditions.

Measured on JESD51-7, 4-layer PCB.

ELECTRICAL CHARACTERICS

$T_A=25^{\circ}\text{C}$, $V_{CC}=12\text{V}$, unless otherwise noted.

Parameter	Symbol	Condition	Min	Typ	Max	Unit
Circuit Current at Locked-Rotor Protection Mode	I_{CC}	$V_{CC}=20\text{V}$	1.0	1.4	2	mA
Reference Voltage	V_{REF}	$I_{VREF}=5\text{mA}$	5.6	5.9	6.2	V
HB Voltage	V_{HB}	$I_{HB}=5\text{mA}$	1.1	1.15	1.2	V
COSC High-Level Voltage	V_{COSC_H}		3.45	3.6	3.75	V
COSC Low-Level Voltage	V_{COSC_L}		1.8	1.95	2.1	V
COSC Oscillator Frequency	f_{COSC}	$C_P=100\text{pF}$	26.4	31	35.6	kHz
CT Pin High-level Voltage	V_{CTH}		3.4	3.63	3.86	V
CT Pin Low-level Voltage	V_{CTL}		1.63	1.73	1.83	V
I_{CT} Charge Current	I_{CT1}		1.1	1.95	2.85	μA
I_{CT} Discharge Current	I_{CT2}		0.08	0.16	0.25	μA
I_{CT} Charge/Discharge Ratio	r_{CT}		7	12	18	
High-Side Switch-On Resistance	R_{DS1}	$V_{CC}=12\text{V}$ $T_A=25^{\circ}\text{C}$		370	420	$\text{m}\Omega$
Low-Side Switch-On Resistance	R_{DS2}	$V_{CC}=12\text{V}$ $T_A=25^{\circ}\text{C}$		230	260	$\text{m}\Omega$
Current Limit Gain	G_C			9		A/V
Current Limit	I_{PEAK}	$IN+ - IN- = \pm 50\text{mV}$	0.4	0.7	1.3	A
		$IN+ - IN- = \pm 100\text{mV}$	0.8	1	1.8	
		$IN+ - IN- = \pm 150\text{mV}$	1	1.4	2.3	
Under-Voltage—Lockout Threshold—Rising			3.57	3.75	3.93	V
Under-Voltage—Lockout Threshold—Hysteresis				190		mV
RD/FG Output Pin Low-level Voltage	$V_{RDL/FGL}$	$I_{RD/FG}=5\text{mA}$			0.35	V
RD/FG Output Pin Leakage Current	$V_{RDL/FGL}$	$V_{RD/FG}=12\text{V}$		0.1	1	μA
OVP Threshold Rising			19	20	21	V
OVP Threshold Hysteresis				1.7		V

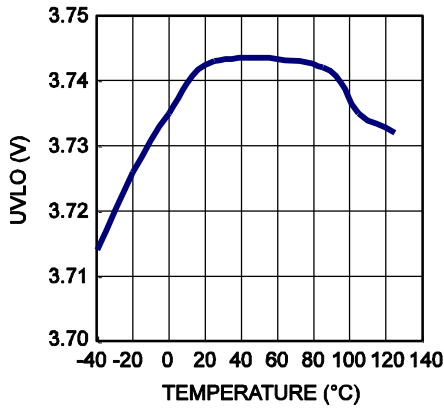
PIN FUNCTIONS

Pin # (TSSOP16)	Name	Description
1,16	P-GND	Power Ground.
2	OUT1	Motor Driver Output 1.
3	VCC	Power Supply.
4	RMI	Minimum Rotational Speed Set.
5	VTH	Rotational Speed Control. Use DC voltage or PWM signal.
6	COSC	Oscillator Setting. Connect this pin to an external capacitor to set the switch frequency.
7	FG	Rotational Speed Detector. Connect to an external power source through a pull-up resistor.
8	RD	Locked-Rotor Protection Detector. Connect to an external power source through a pull-up resistor.
9	IN+	Hall Sensor Input+. For rotor position detection and current limit setting.
10	HB	Hall Sensor Bias Regulator Output. Powers the external Hall sensor.
11	IN-	Hall Sensor Input-. For rotor position detection and current limit setting.
12	VREF	Reference Voltage Output.
13	CT	Locked-Rotor Protection and Recovery Time Set. Connect to an external capacitor to set the recovery time.
14	S-GND	Ground for Control Circuit.
15	OUT2	Motor Driver Output 2.
	NC	Not Connected. Connect exposed thermal pad to power ground for better thermal performance.

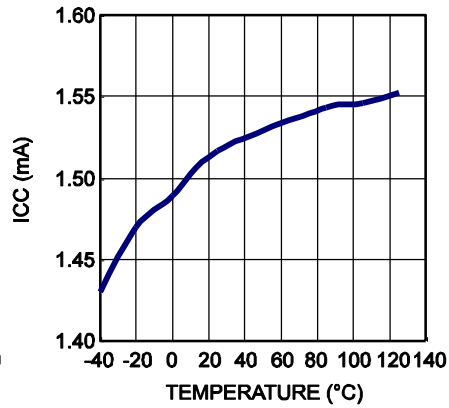
TYPICAL CHARACTERISTICS

$V_{IN}=12V$, $f_{OSC}=30kHz$

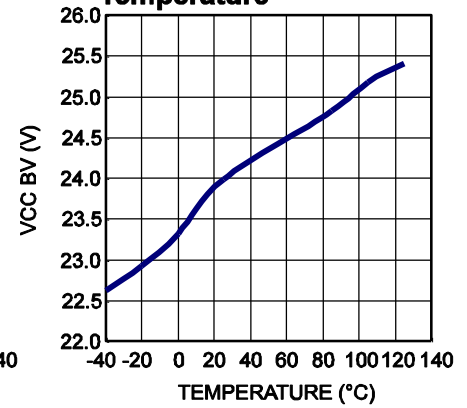
UVLO vs. Temperature



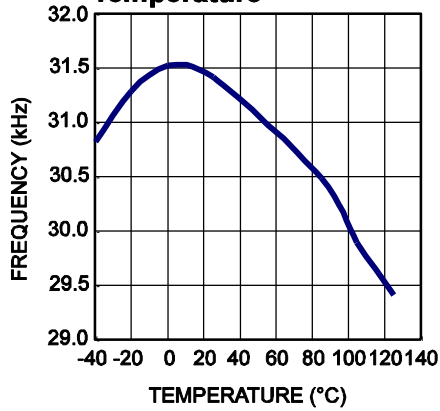
ICC vs. Temperature



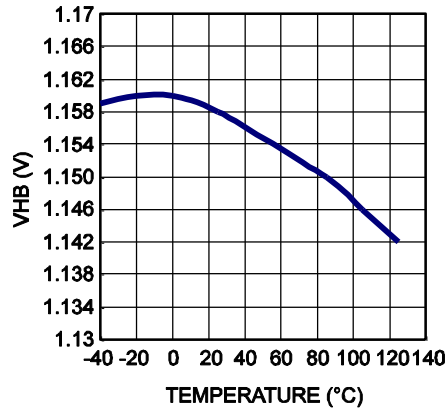
VCC Breakdown Voltage vs. Temperature



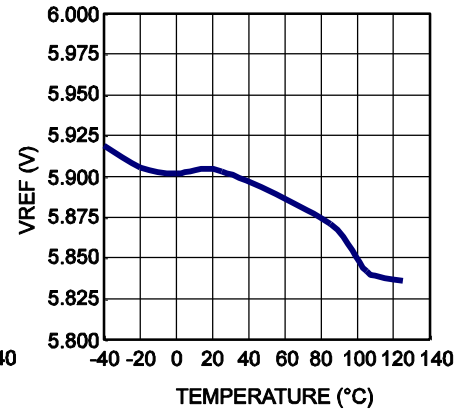
Frequency vs. Temperature



VHB vs. Temperature

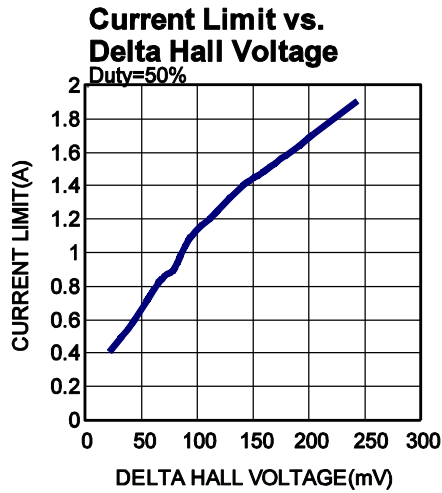


VREF vs. Temperature

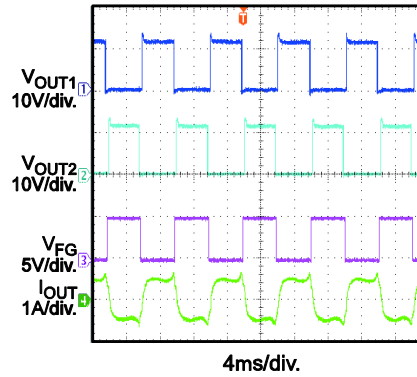


TYPICAL PERFORMANCE CHARACTERISTICS

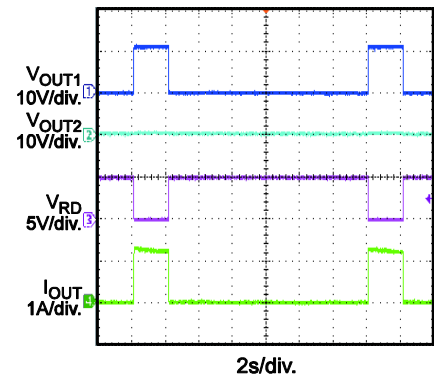
$f_{\text{COSEC}}=30\text{kHz}$, $C_T=1\mu\text{F}$, $V_{\text{TH}}=0\text{V}$, $V_{\text{IN}}=12\text{V}$, $C_{\text{IN}}=10\mu\text{F}$, $L_{\text{motor}}=5\text{mH}$, $R_{\text{motor}}=10\Omega$, $T_A=25^\circ\text{C}$, unless otherwise noted.



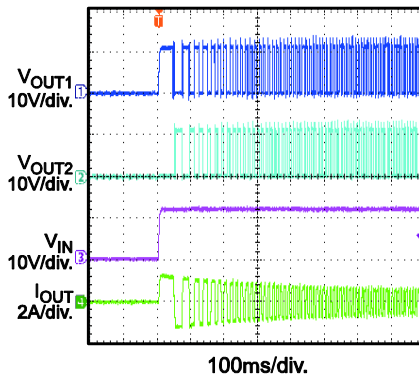
Steady State



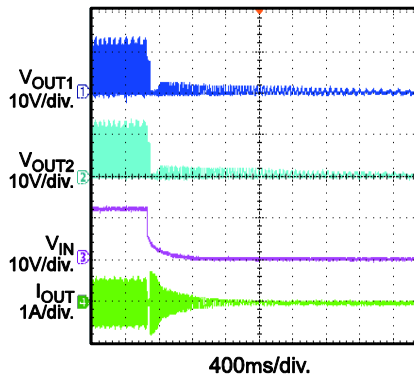
Locked-rotor Protection



Power Ramp Up



Power Ramp Down



BLOCK DIAGRAM

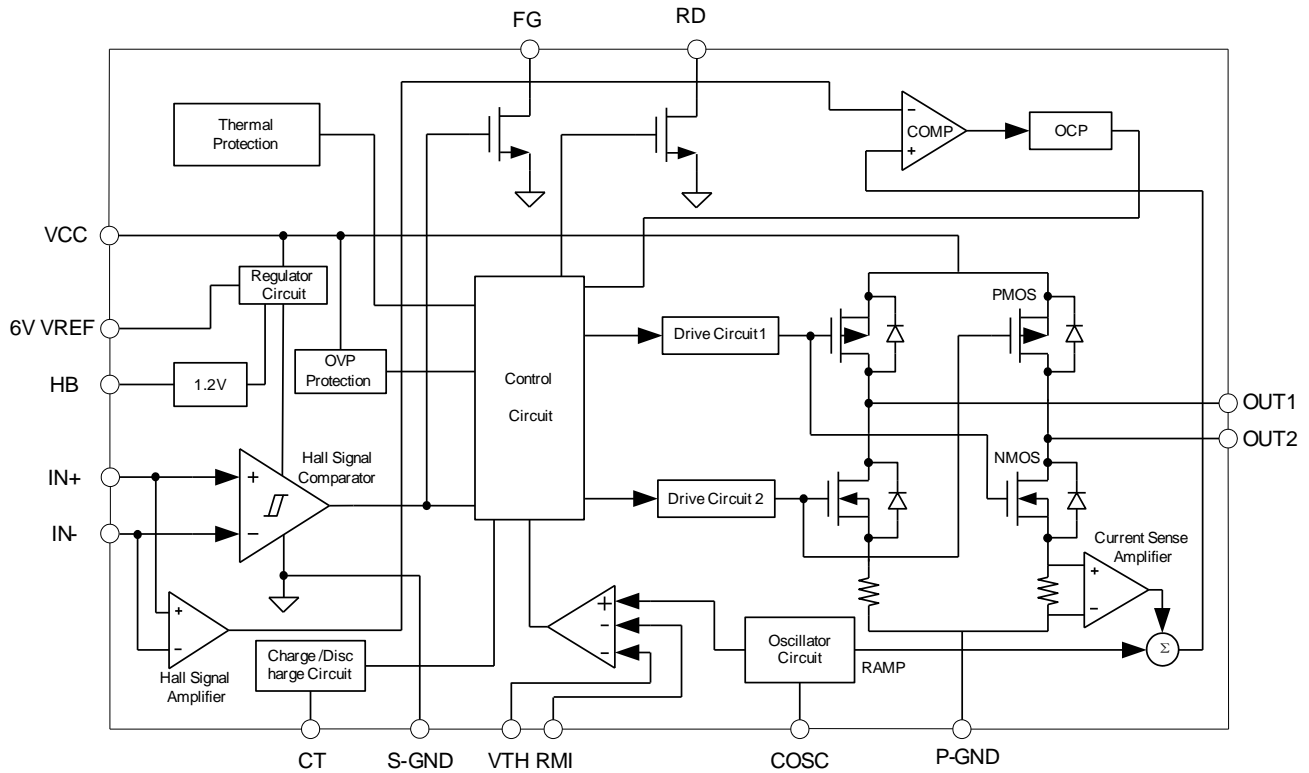


Figure 1: Functional Block Diagram

FUNCTION DESCRIPTION

Motor Driver

The OUT1 and OUT2 pins drive the motor with a maximum continuous output current of 1.2A at room temperature. The peak output current value is proportional to the Hall sensor output voltage of ($V_{IN+}-V_{IN-}$).

Frequency Setting

A capacitor at the COSC pin sets the frequency. For most applications, use a 100pF capacitor for a typical PWM frequency of 30kHz.

Minimum Speed

The voltage on the RMI pin sets the minimum PWM duty cycle to set the lowest speed. Connect to VTH if not used.

Locked-Rotor Detection

The locked-rotor detector (the RD pin) is the output of an open collector. It goes low when the motor is rotating and goes into high impedance if the motor is in a locked-rotor state. Leave it open if not used.

Speed Detection

The rotational speed detector (the FG pin) is the output of an open collector. It outputs a high or low voltage relative to the Hall comparator's output. Higher speeds produce higher-frequency signals. Leave it open if not used.

Current Limit Proportional to Hall Signal

An internal amplifier with hysteresis amplifies the differential Hall signal: The output of this amplifier serves as the current limit value. The differential Hall voltage drops to 0V every time an opposing magnet passes the Hall sensor, which limits the peak current during commutation. The Hall sensor is directly powered by a 1.2V voltage on the HB pin. In order to prevent the possible large current during startup or lock-rotor period, an internal secondary current limit is employed. It ensures the current less than 2.5A typically. The Hall sensor input sensitivity accepted by the part is down to 3mV.

Input OVP

A reverse current generated with every commutation charges the input capacitor and causes a periodic voltage spike on the input pin. The internal input over-voltage protection (OVP) circuit turns off two HS switches when a spike

exceeds 20V, and recovers from OVP when the spike is less than 18V.

Over Temperature Protection

The MOSFET is shutdown when the temperature exceeds about 175°C and resumes working once the temperature is below about 155°C.

Working Mode

The driver has 4 modes under normal conditions as shown in Figure 2. The following describes each mode:

- **Minimum Speed Mode**

This mode runs the motor at the slowest motor speed. It uses a thermistor to provide the VTH signal and compares it with RMI to determine the slowest motor speed.

At low temperatures, VTH exceeds RMI. The device compares V_{COSC} against RMI to generate the PWM signal, PWM_{RMI} , to control the motor speed. Removing the thermistor causes VTH and the motor speed to reach their respective maxima and minima.

- **Variable Speed Mode**

When the VTH signal falls below RMI, the device compares V_{COSC} against VTH to generate a PWM signal, PWM_{VTH} , to control the motor speed. In general, VTH controls the PWM duty cycle, and therefore the motor speed.

- **Full-Speed Mode**

When the VTH signal is less than $V_{COSC(MIN)}$, the PWM duty is 100% and the motor speed is at its maximum.

- **Locked-Rotor Protection**

An internal current source, I_{CT1} , charges the capacitor at the CT pin; changing the Hall comparator's output provides a reset signal to drive an internal switch to discharge this capacitor to V_{CTL} .

If the motor rotor is locked, the Hall comparator's output will not change. Once the voltage on the capacitor goes to V_{CTH} , the driver enters locked-rotor protection mode and another current source, I_{CT2} , discharges the CT capacitor. During this period, the PWM duty cycle goes to 0% and the RD pin is in a high impedance state. When the

voltage on the capacitor drops to 0V, I_{CT1} charges the capacitor again. The PWM signal resumes switching to try to drive motor again.

If the rotor remains locked, the process repeats.

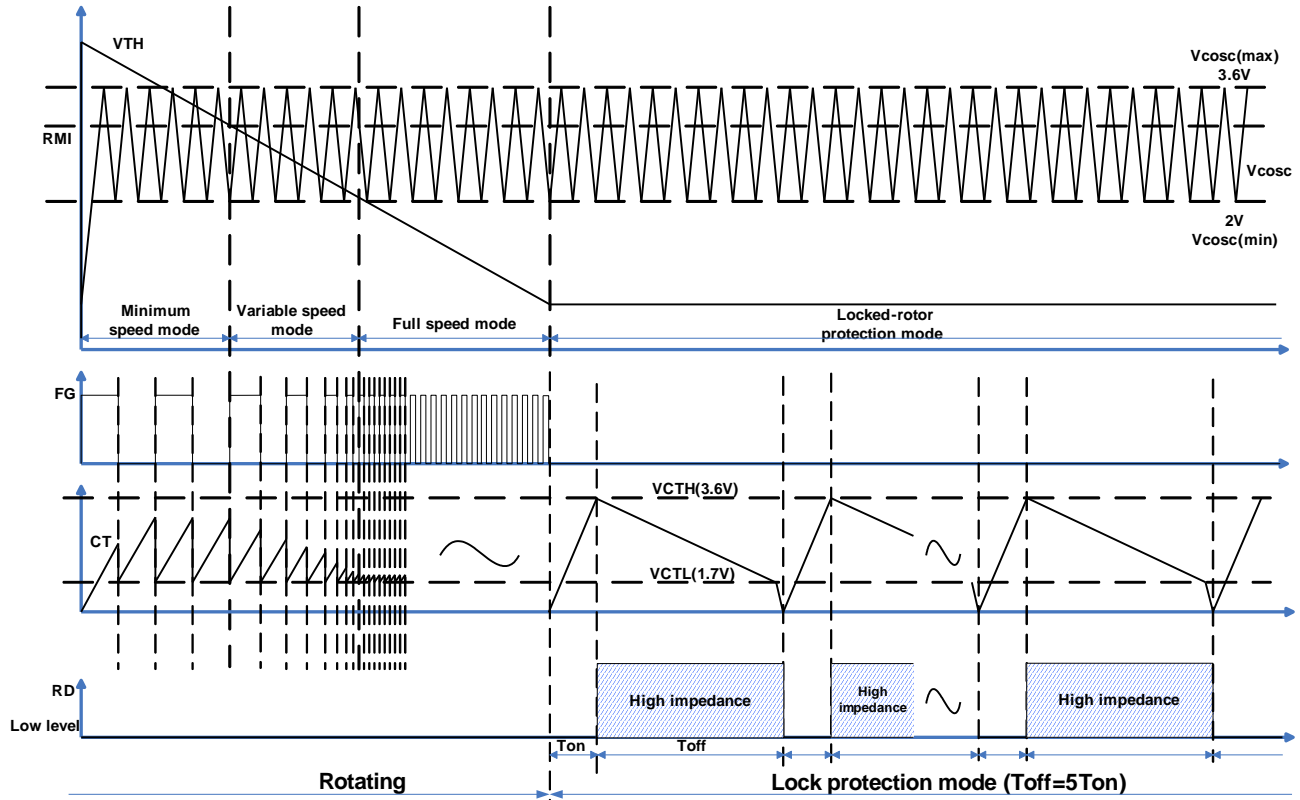


Figure 2: Driver Operation Mode

APPLICATION INFORMATION

Selecting the Input Capacitor

The input capacitor absorbs excess armature inductor energy with every commutation. For typical applications, select $C_{IN} \geq 10\mu\text{F}$ to provide a margin of safety for input OVP. Motors with larger armature inductors require larger input capacitors.

Setting the Frequency

For most applications, use a 100pF capacitor for the C_P capacitor to set the frequency to 30kHz. f_{OSC} is determined by:

$$f_{OSC} = 3 \times 10^{-6} / C_P (\text{Hz})$$

Connecting the Motor

Figure 3 shows that the OUT1 and OUT2 connectors connect to the motor armature. When V_{IN+} exceeds V_{IN-} , SW1 and SW4 activate and current flows from OUT1 to OUT2. When V_{IN-} exceeds V_{IN+} , SW2 and SW3 activate and current flows from OUT2 to OUT1. The opposing current directions generate opposing polarities in the armature winding. For most applications, carefully connect OUT1 and OUT2 to the motor terminators according to the Hall sensor setting position. Incorrect connections will cause abnormal motor function.

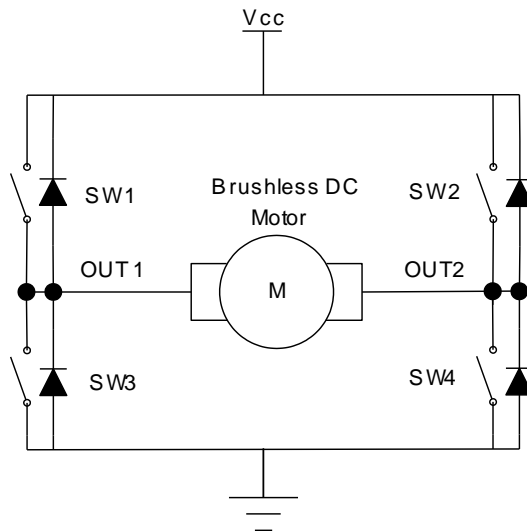


Figure 3: Power Stage

DESIGN EXAMPLE

Below is an example design that follows the application guidelines for the given specifications:

V_{IN}	4.5V to 16V
$I_{OUT}(\text{Max})$	1.2A
f_{OSC}	30kHz

Figure 4 shows a detailed application schematic. For more applications, please refer to the related Evaluation Board Data Sheets.

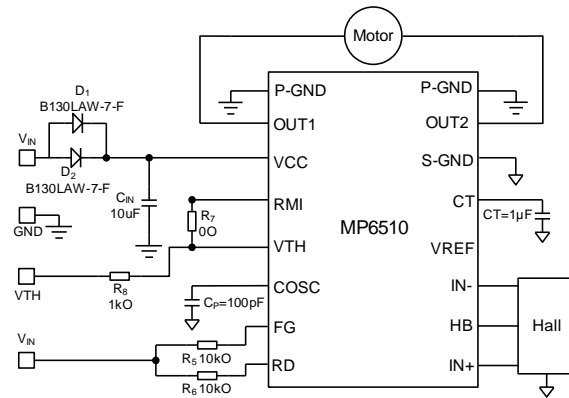
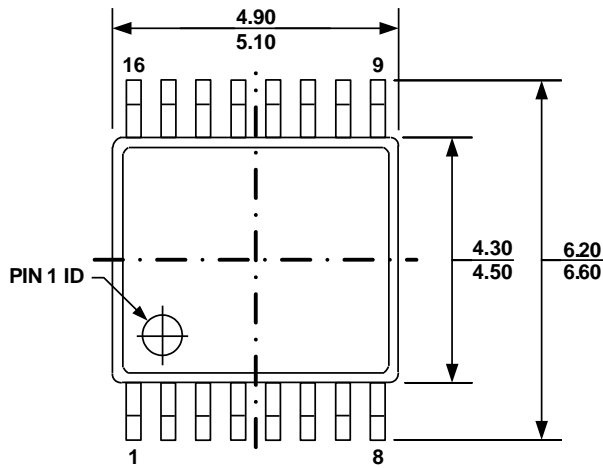


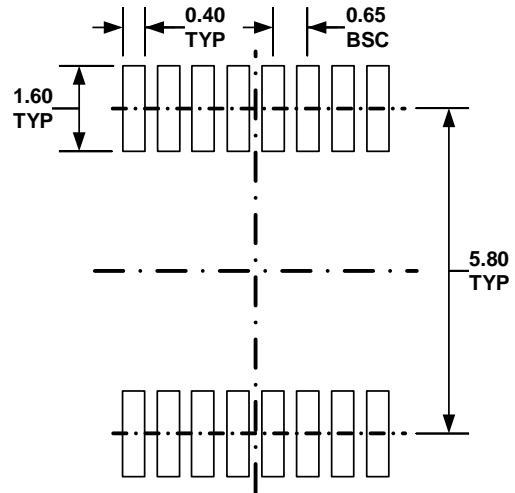
Figure 4: Detailed Application Schematic

PACKAGE INFORMATION

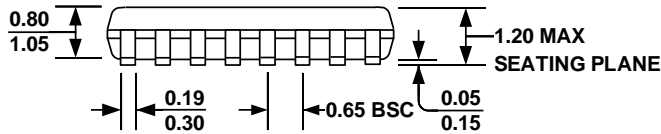
TSSOP16



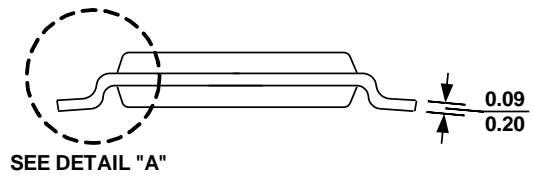
TOP VIEW



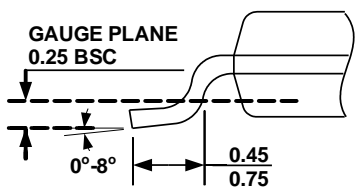
RECOMMENDED LAND PATTERN



FRONT VIEW



SIDE VIEW



DETAIL "A"

NOTE:

- 1) ALL DIMENSIONS ARE IN MILLIMETERS
- 2) PACKAGE LENGTH DOES NOT INCLUDE MOLD FLASH, PROTRUSION OR GATE BURR.
- 3) PACKAGE WIDTH DOES NOT INCLUDE INTERLEAD FLASH OR PROTRUSION.
- 4) LEAD COPLANARITY (BOTTOM OF LEADS AFTER FORMING) SHALL BE 0.10 MILLIMETERS MAX.
- 5) DRAWING CONFORMS TO JEDEC MO-153, VARIATION AB
- 6) DRAWING IS NOT TO SCALE

NOTICE: The information in this document is subject to change without notice. Users should warrant and guarantee that third party Intellectual Property rights are not infringed upon when integrating MPS products into any application. MPS will not assume any legal responsibility for any said applications.