



Metal Oxide Varistor

Disc type

SIOV- S10K680G5S3

Ordering code: B72210S0681K351

Data sheet

Form: FBLE3K/b

File name: S10K680G5S3_a

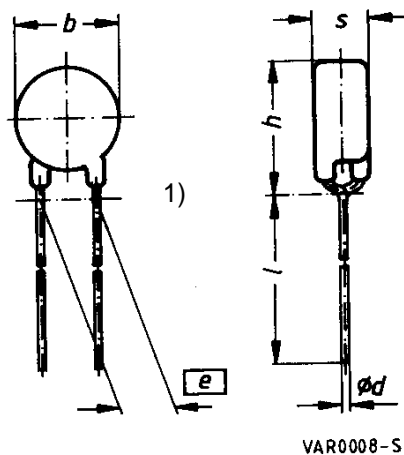
MODIFICATIONS: New datasheet

REMARKS:

Prepared by	Collins-Hunt	Release	signed: PE / Collins-Hunt		signed: QS / Zödl		
			signed:		signed:		
ISSUE DATE	27.01.03	ISSUE	a	PUBLISHER	KH PE VAR	PAGE	0/8

Data sheet
SIOV nomenclature

S	=	Disk type
10	=	Rated disk diameter
K	=	Tolerance of V_V at 1mA : $\pm 10\%$
680	=	Max. AC voltage
G5	=	Taping Style G5
S3	=	Crimp style S3

Figure: Dimensions given in Millimeters (mm)


b_{max}	=	12,0
h_{max}	=	16,5
s_{max}	=	7,9
e	=	$7,5 \pm 0,8$ ²⁾
l_{min}	=	n.a.
$\varnothing d$	=	$0,8 \pm 0,05$

- 1) seating plane in accordance with IEC 60717
- 2) measured above carrier tape

Electrical data:
Maximum Ratings (85°C)

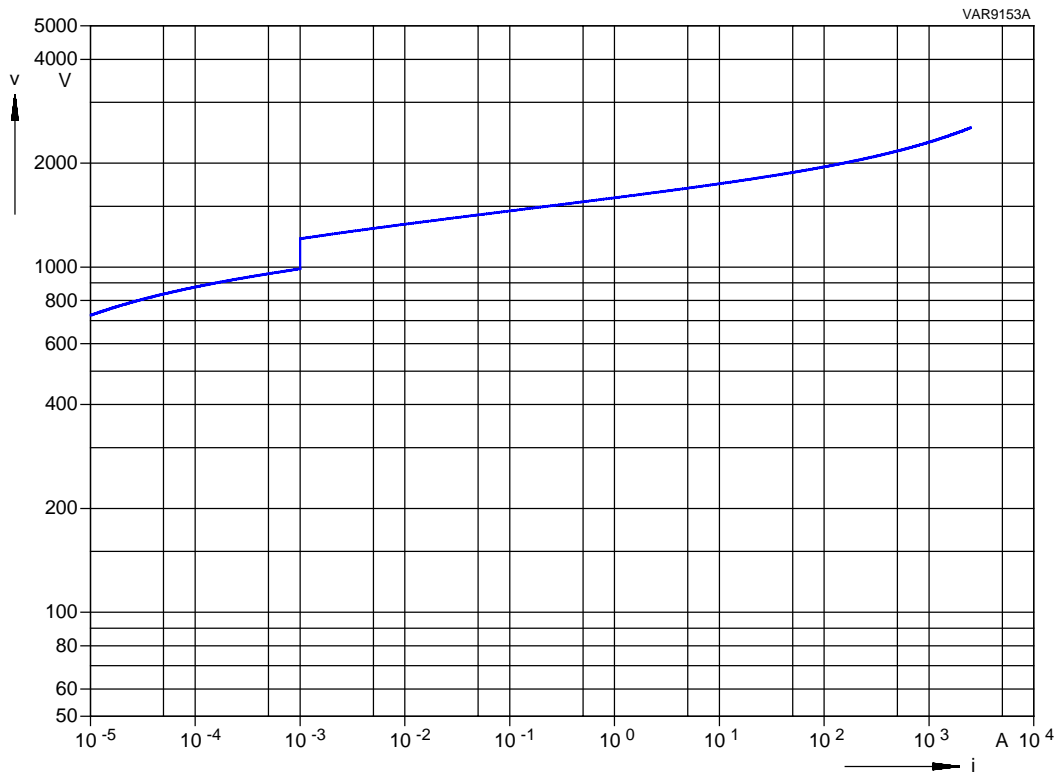
Max. operating AC voltage	V_{RMS}	=	680 V
Max. operating DC voltage	V_{DC}	=	895 V
Surge current (8/20 μ s) 1 time	I_{max}	=	2500 A
Energy absorption (2ms) 1 time	W_{max}	=	72 J
Average power dissipation	P_{max}	=	0,40 W

Characteristics (25°C)

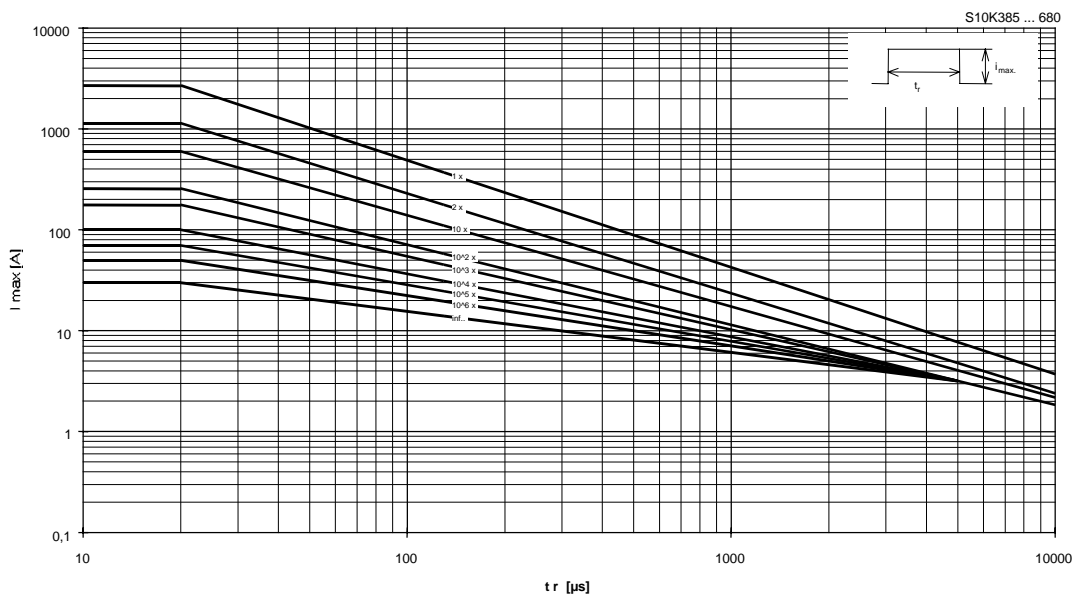
Varistor voltage at 1mA	V_V	=	$1100 V \pm 10\%$
Clamping voltage at 25A (8/20 μ s)	$V_{C,max}$	=	1815 V
Typ. capacitance at 1 kHz	C	=	85 pF

ISSUE DATE	27.01.03	ISSUE	a	PUBLISHER	KH PE VAR	PAGE	1/8
------------	----------	-------	---	-----------	-----------	------	-----

V/I Characteristic:



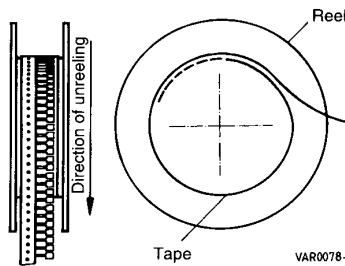
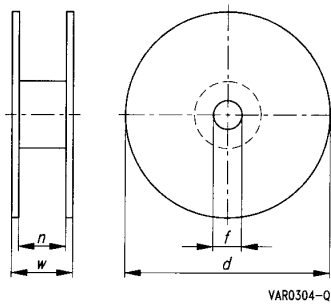
Derating:



Data sheet

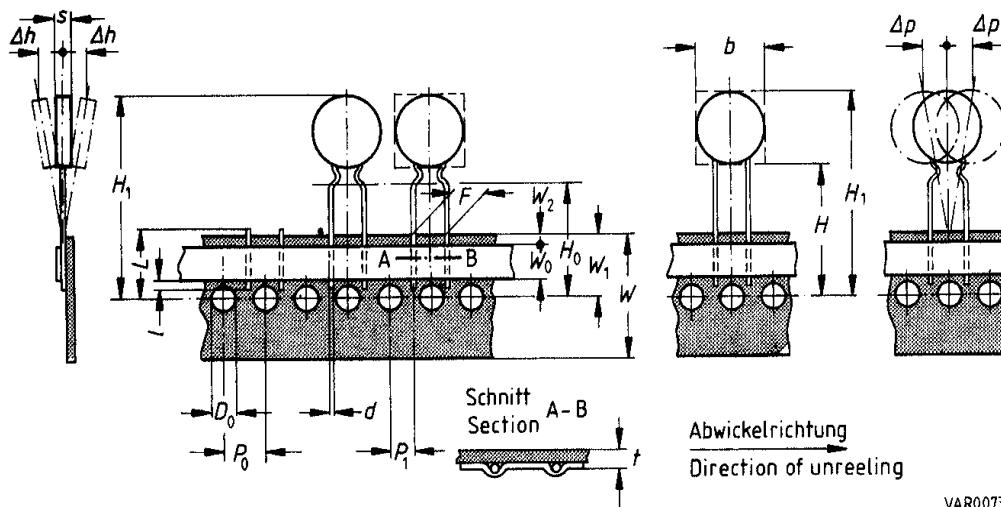
Taping:

Package Unit: 1000 pcs./reel



- d_{max} = 500 mm
- W_{max} = 72 mm
- f = $23 \pm 1,0$ mm
- n = 59 mm (typ.)

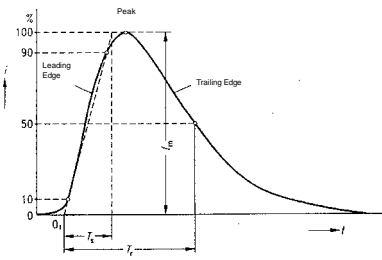
Lead spacing 7,5 mm



Tape dimensions, in Millimeters (mm)

Definition	Symbol	Dimension	Tolerance	Remarks
Body diameter	b	12,0	max	
Body thickness	s	7,9	max	
Lead diameter	d	0,8	$\pm 0,05$	
Sprocket hole pitch	P ₀	12,7	$\pm 0,3$	$\pm 1\text{mm}/20$ sprocket holes
Distance hole center to lead center	P ₁	8,95	$\pm 0,8$	
Lead spacing	F	7,5	$\pm 0,8$	measured above carrier tape
Component deviation	Δh	Depends on s		measured at top of component body
Component deviation	Δp	0	$\pm 2,0$	measured at top of component body
Carrier tape width	W	18,0	$\pm 0,5$	
Adhesive tape width	W ₀	11,0	min	Peel-off force $\geq 5\text{N}$
Sprocket hole position	W ₁	9,0	+0,75/ -0,5	
Adhesive tape position	W ₂	3,0	max	
Distance hole center to the top of the component	H ₁	45	max	
Seating plane height	H ₀	16,0	$\pm 0,5$	
Hole diameter	D ₀	4,0	$\pm 0,2$	
Total tape thickness	t	0,9	max	
Lead overlap	l	4,0	max	
Cutting level	L	11,0	max	

Reliability Data:

	Characteristics	Test Methods/Description	Specifications
E	Varistor Voltage	The voltage between two terminals with the specified measuring current applied is called V_V (1 mA _{DC} @ 0.2 - 2 s).	To meet the specified value.
L	Clamping Voltage	The maximum voltage between two terminals with the specified standard impulse current (8/20µs) illustrated below applied.	To meet the specified value.
E			
C		<p> T_r: Rise Time µs T_f: Decay time to half value µs 0_1: Nominal start I_m: Peak value </p>	
T			
R			
I			
C	Surge current derating, 8/20 µs	100 surge currents (8/20 µs), unipolar, interval 30 s, amplitude corresponding to derating curve for 20 µs	$ \Delta V/V (1 \text{ mA}) \leq 10 \%$ (measured in direction of surge current) No visible damage
A			
L	Surge current derating, 2 ms	100 surge currents (2ms), unipolar, interval 120s, amplitude corresponding to derating curve for 2ms	$ \Delta V/V (1 \text{ mA}) \leq 10 \%$ (measured in direction of surge current) No visible damage



Data sheet

	Characteristics	Test Methods/Description	Specifications										
M	Tensile strength	After gradually applying the force specified below and keeping the unit fixed for 10 seconds, the terminal shall be visually examined for any damage.	$ \Delta V/V (1 \text{ mA}) \leq 5 \%$ No break of solder joint, no wire break										
		<table border="1"> <thead> <tr> <th>Terminal diameter</th> <th>Force</th> </tr> </thead> <tbody> <tr> <td>0.5 mm</td> <td>5 N</td> </tr> <tr> <td>0.6 mm</td> <td>10 N</td> </tr> <tr> <td>0.8 mm</td> <td>10 N</td> </tr> <tr> <td>1.0 mm</td> <td>20 N</td> </tr> </tbody> </table>		Terminal diameter	Force	0.5 mm	5 N	0.6 mm	10 N	0.8 mm	10 N	1.0 mm	20 N
		Terminal diameter		Force									
		0.5 mm		5 N									
0.6 mm	10 N												
0.8 mm	10 N												
1.0 mm	20 N												
E	Vibration	After repeatedly applying a single harmonic vibration according to the table below. Thereafter, the unit shall be visually examined.	$ \Delta V/V (1 \text{ mA}) \leq 5 \%$ No visible damage										
C	frequency range: 10 ... 55 Hz	amplitude: 0.75 mm or 98 m/s ² duration: 6 h (3 x 2 h) pulse: sine wave											
H													
A	Solderability	After dipping the terminals to a depth of approximately 3 mm from the body in a soldering bath of 235°C for 5 seconds, the terminals shall be visually examined.	The inspection shall be carried out under adequate light with normal eyesight or with the assistance of a magnifier capable of giving a magnification of 4 times to 10 times. The dipped surface shall be covered with a smooth and bright solder coating with no more than small amounts of scattered imperfections such as pinholes or un-wetted or de-wetted areas. These imperfections shall not be concentrated in one area.										
N													
I													
C													
A													
L													



Data sheet

	Characteristics	Test Methods/Description	Specifications
M E C H A N I C A L	Resistance to soldering heat	Each lead shall be dipped into a solder bath having a temperature of $260 \pm 5^{\circ}\text{C}$ to a point 2.0 to 2.5 mm from the body of the unit, be held there for 10 ± 1 s and then be stored at room temperature and normal humidity for 1 to 2 hours. The change of V_v and mechanical damages shall be examined.	$ \Delta V/V (1 \text{ mA}) \leq 5 \%$ No visible damage
	Electric strength	2500 V_{RMS} , 10 s The varistor is placed in a container holding 1.6 \pm 0.2 mm diameter metal balls such that only the terminations of the varistor are protruding. The specified voltage shall be applied between both terminals of the specimen connected together and the electrode inserted between the metal balls.	No breakdown



Data sheet

	Characteristics	Test Methods/Description	Specifications												
E N V I	Max. AC operating voltage	After being continuously applied the maximum allowable voltage at $85 \pm 2^\circ\text{C}$ for 1000 hours, the specimen shall be stored at room temperature and normal humidity for 1 to 2 hours. Thereafter, the change of V_v shall be measured.	$ \Delta V/V (1 \text{ mA}) \leq 10 \%$												
	Damp heat, steady state	The specimen shall be subjected to $40 \pm 2^\circ\text{C}$, 90 to 95 % r.H. for 56 days without load and then stored at room temperature and normal humidity for 1 to 2 hours. Thereafter, the change of V_v shall be measured.	$ \Delta V/V (1 \text{ mA}) \leq 10 \%$												
R O N M	Climatic sequence	The specimen shall be subjected to: a) dry heat at $+85^\circ\text{C}$, 16 h b) damp heat, 1st cycle: 55°C , 93 % r.H., 24 h c) cold, -40°C , 2 h d) damp heat, additional 5 cycles: 55°C , 93 % r.H., 24 h/cycle Then the specimen shall be stored at room temperature and normal humidity for 1 to 2 hours. Thereafter, the change of V_v shall be measured.	$ \Delta V/V (1 \text{ mA}) \leq 10 \%$												
E N T A L	Fast temperature cycling	The temperature cycle shown below shall be repeated 5 times. Then the specimen shall be stored at room temperature and normal humidity for 1 to 2 hours. The change of V_v and mechanical damage shall be examined. <table border="1" style="margin-left: auto; margin-right: auto;"> <thead> <tr> <th>Step</th> <th>Temperature ($^\circ\text{C}$)</th> <th>Period (min.)</th> </tr> </thead> <tbody> <tr> <td>1</td> <td>-40 ± 3</td> <td>30 ± 3</td> </tr> <tr> <td>2</td> <td>transition time</td> <td>$< 10 \text{ s}$</td> </tr> <tr> <td>3</td> <td>85 ± 2</td> <td>30 ± 3</td> </tr> </tbody> </table>	Step	Temperature ($^\circ\text{C}$)	Period (min.)	1	-40 ± 3	30 ± 3	2	transition time	$< 10 \text{ s}$	3	85 ± 2	30 ± 3	$ \Delta V/V (1 \text{ mA}) \leq 5 \%$ No visible damage
Step	Temperature ($^\circ\text{C}$)	Period (min.)													
1	-40 ± 3	30 ± 3													
2	transition time	$< 10 \text{ s}$													
3	85 ± 2	30 ± 3													

Note: More details can be found in the data book 'SIOV Metal Oxide Varistors', Ordering No. EPC: 62002-7600

© EPCOS AG 2002. Reproduction, publication and dissemination of this data sheet, enclosures hereto and the information contained therein without EPCOS' prior express consent is prohibited.

Purchase orders are subject to the General Conditions for the Supply of Products and Services of the Electrical and Electronics Industry recommended by the ZVEI (German Electrical and Electronic Manufacturers' Association), unless otherwise agreed.

ISSUE DATE	27.01.03	ISSUE	a	PUBLISHER	KH PE VAR	PAGE	8/8
------------	----------	-------	---	-----------	-----------	------	-----